

APTAR HALOPACK Fiber-Based Tray systems are designed to substantially enhance packaging sustainability for a wide range of fresh, frozen, reheatable, grab-n-go and ovenable food applications. The patented solution is produced with renewable or recycled cardboard and a minimal amount of easily removable film, allowing 90% of the overall package to be recycled in existing cardboard streams. APTAR HALOPACK systems offer a unique-to-market combination of enhanced sustainability and product differentiation through extended shelf life and attractive product presentation, delivering the benefits of plastic without the environmental impact.



BENEFITS

- Suitable for both dry and high-moisture foods
- Wide range of configurations (skin pack, clamshell, freezable, microwave and ovenable, modified atmosphere packaging (MAP))
- 90% recyclable; uses only 10% removable plastic for easy recycling
- Free of additives, PE-coatings and adhesives
- Manufactured in North America
- Engineered to fit in existing top seal and skin pack equipment with minimal tooling conversion required
- When ready to recycle, trays fold flat, saving recycling bin space for consumers
- Custom printing directly on paperboard (inside and outside package) enables seasonal promotions, provides opportunity for brand differentiation, and eliminates need for additional labels, reducing manufacturing steps associated with label placement.



HALOPACK MAP



HALOPACK OVEN



HALOPACK SKIN



HALOPACK
OCTAGONAL



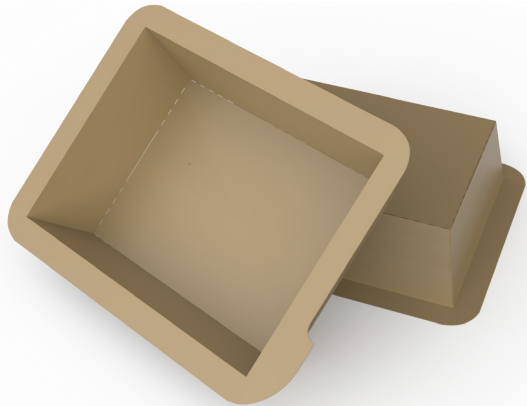
HALOPACK
DUO-TRAY



HALOPACK
CLAMSHELL

HALOPACK

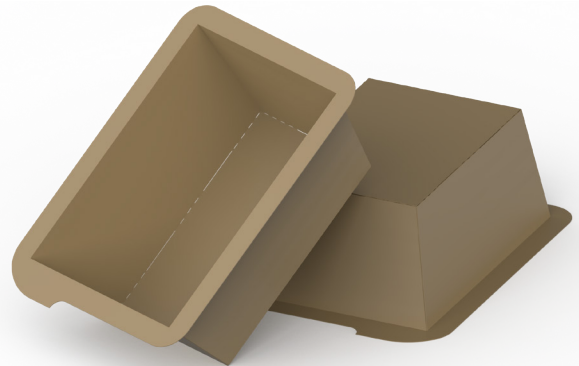
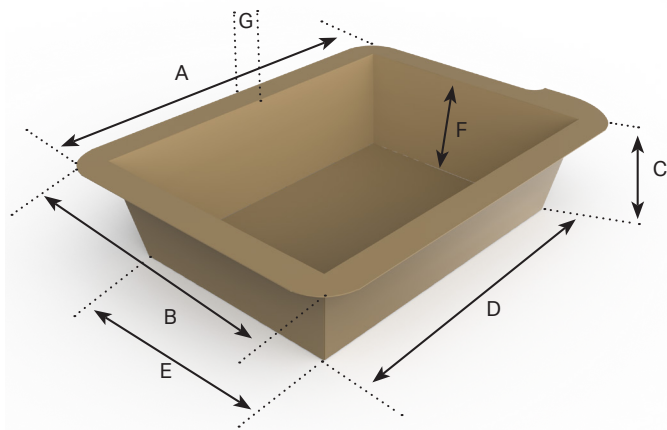
by Aptar



172 x 132 x 040

Product Specifications (+/- 2%)

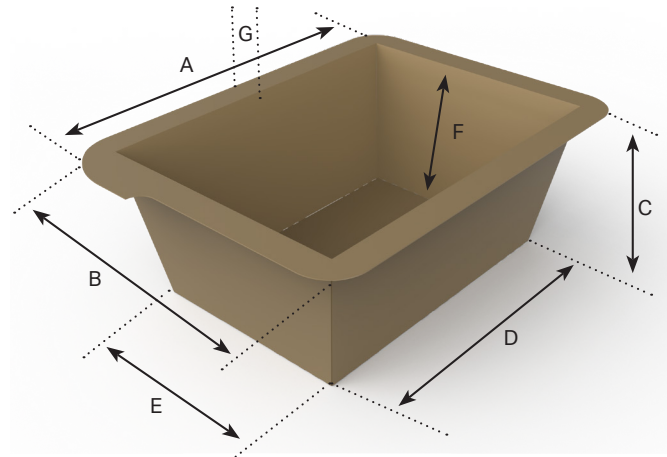
Top outside length (A)	172 mm
Top outside width (B)	132 mm
Top outside height (C)	040 mm
Base length (D)	172 mm
Base width (E)	132 mm
Side wall height (F)	040 mm
Flange width (G)	012 mm
Volume	720 ml



172 x 132 x 063

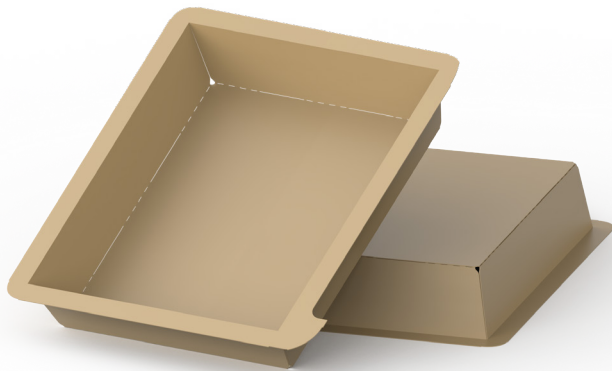
Product Specifications (+/- 2%)

Top outside length (A)	172 mm
Top outside width (B)	132 mm
Top outside height (C)	063 mm
Base length (D)	124 mm
Base width (E)	084 mm
Side wall height (F)	063 mm
Flange width (G)	012 mm
Volume	792 ml



HALOPACK

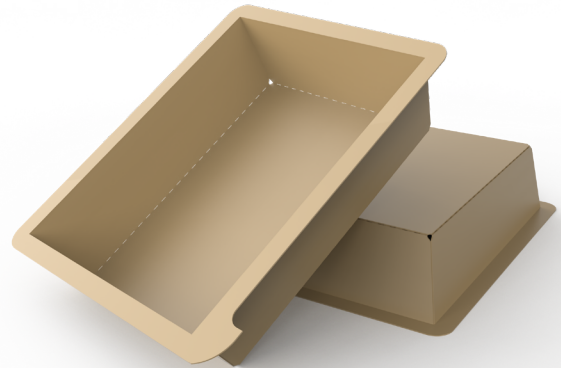
by Aptar



188 x 155 x 033

Product Specifications (+/- 2%)

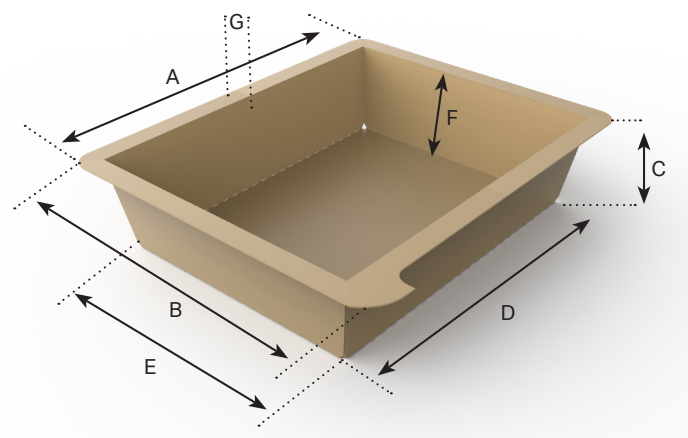
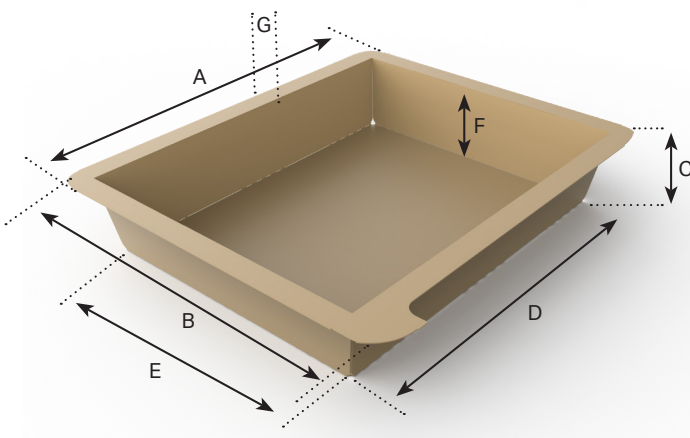
Top outside length (A)	188 mm
Top outside width (B)	155 mm
Top outside height (C)	033 mm
Base length (D)	156 mm
Base width (E)	121 mm
Side wall height (F)	033 mm
Flange width (G)	010 mm
Volume	623 ml



188 x 155 x 043

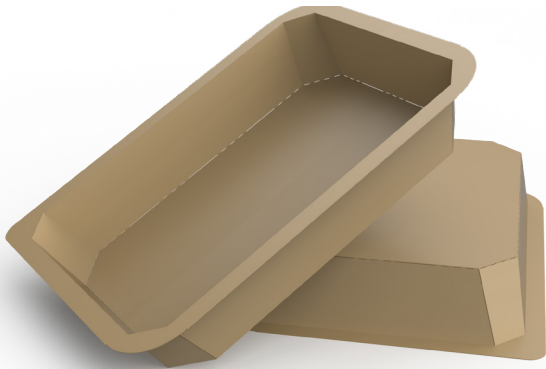
Product Specifications (+/- 2%)

Top outside length (A)	188 mm
Top outside width (B)	155 mm
Top outside height (C)	043 mm
Base length (D)	152 mm
Base width (E)	117 mm
Side wall height (F)	043 mm
Flange width (G)	010 mm
Volume	809 ml



HALOPACK

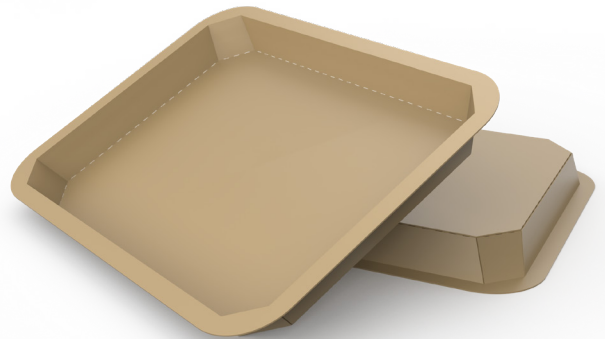
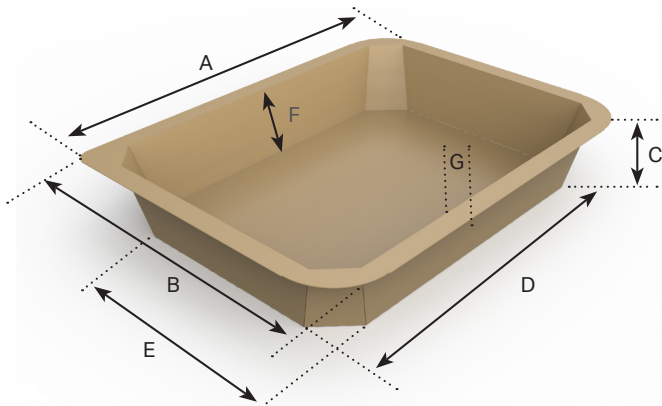
by Aptar



217 x 165 x 038

Product Specifications (+/- 2%)

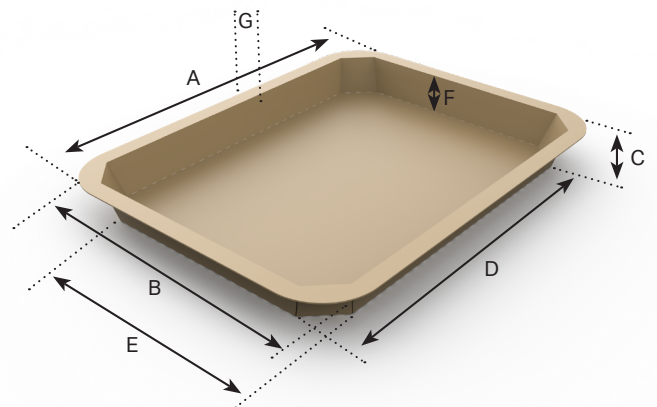
Top outside length (A)	217 mm
Top outside width (B)	165 mm
Top outside height (C)	038 mm
Base length (D)	185 mm
Base width (E)	133 mm
Side wall height (F)	038 mm
Flange width (G)	009 mm
Volume	943 ml



222 x 170 x 021

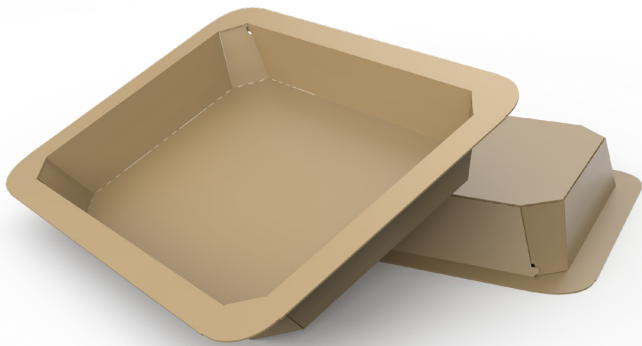
Product Specifications (+/- 2%)

Top outside length (A)	222 mm
Top outside width (B)	170 mm
Top outside height (C)	021 mm
Base length (D)	186 mm
Base width (E)	134 mm
Side wall height (F)	021 mm
Flange width (G)	014 mm
Volume	472 ml



HALOPACK

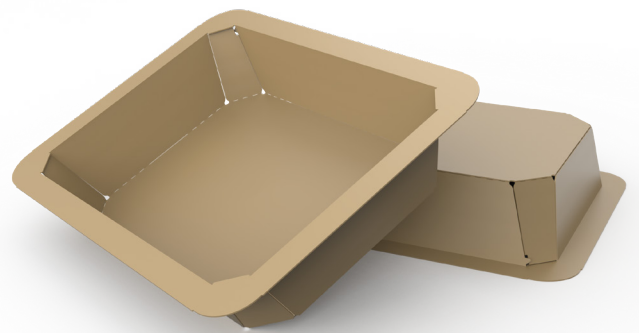
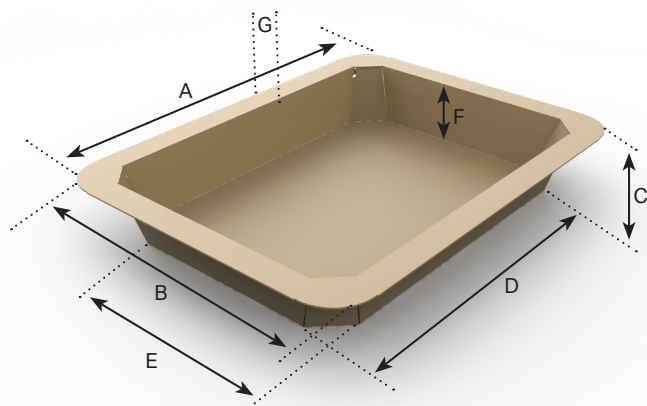
by Aptar



222 x 170 x 031

Product Specifications (+/- 2%)

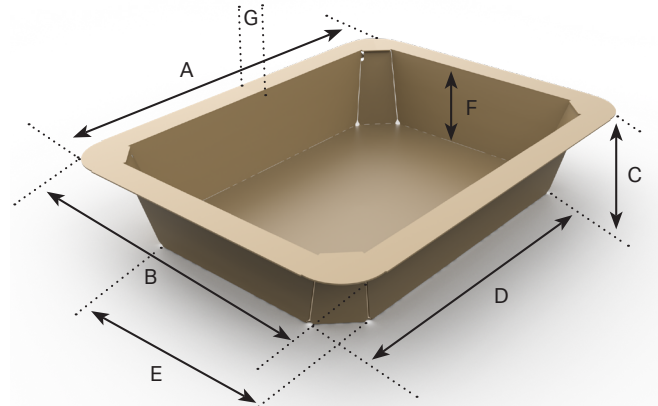
Top outside length (A)	222 mm
Top outside width (B)	170 mm
Top outside height (C)	031 mm
Base length (D)	181 mm
Base width (E)	129 mm
Side wall height (F)	031 mm
Flange width (G)	014 mm
Volume	713 ml



222 x 170 x 042

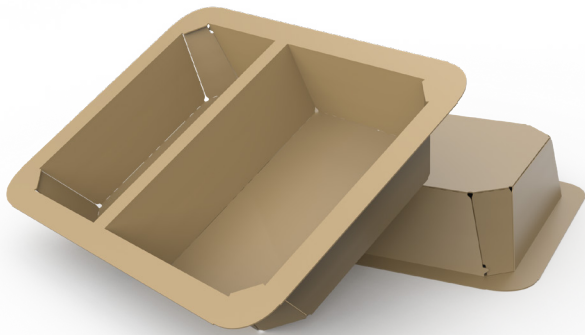
Product Specifications (+/- 2%)

Top outside length (A)	222 mm
Top outside width (B)	170 mm
Top outside height (C)	042 mm
Base length (D)	179 mm
Base width (E)	127 mm
Side wall height (F)	042 mm
Flange width (G)	014 mm
Volume	446 ml



HALOPACK

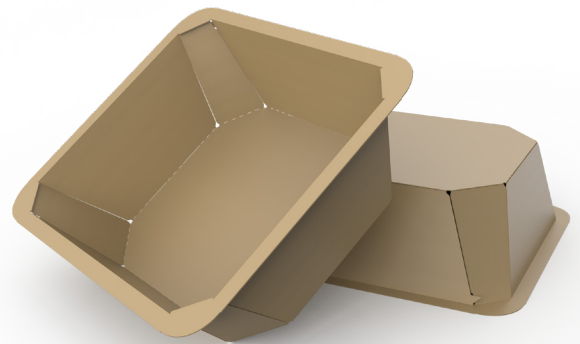
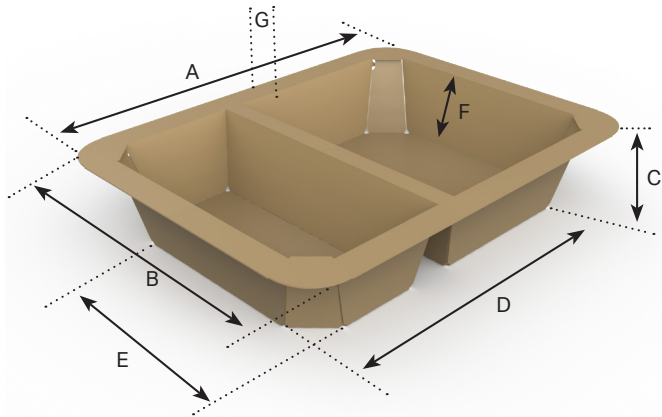
by Aptar



222 x 170 x 042 (DUO)

Product Specifications (+/- 2%)

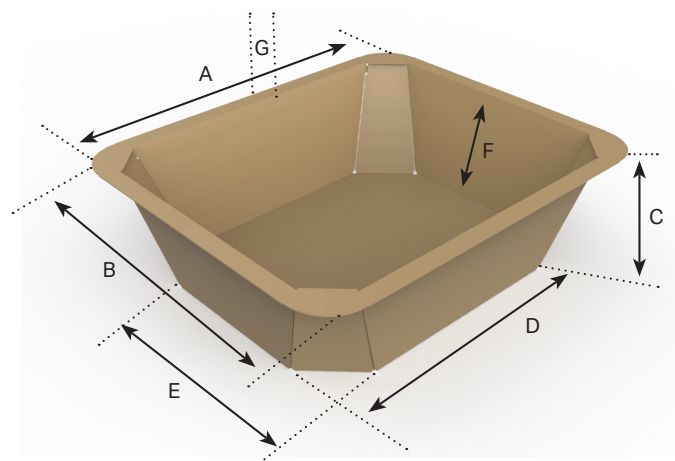
Top outside length (A)	222 mm
Top outside width (B)	170 mm
Top outside height (C)	042 mm
Base length (D)	179 mm
Base width (E)	127 mm
Side wall height (F)	042 mm
Flange width (G)	014 mm
Volume	446 ml

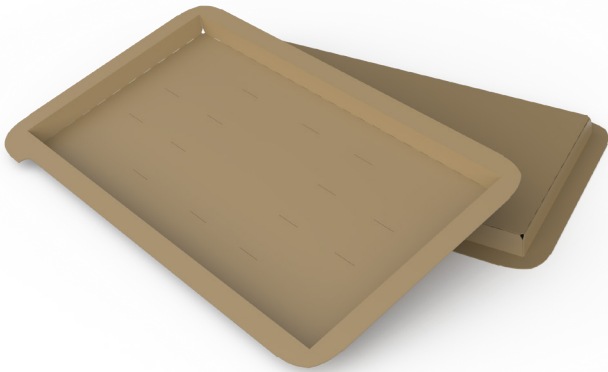


222 x 196 x 067

Product Specifications (+/- 2%)

Top outside length (A)	229 mm
Top outside width (B)	196 mm
Top outside height (C)	067 mm
Base length (D)	181 mm
Base width (E)	148 mm
Side wall height (F)	067 mm
Flange width (G)	010 mm
Volume	923 ml

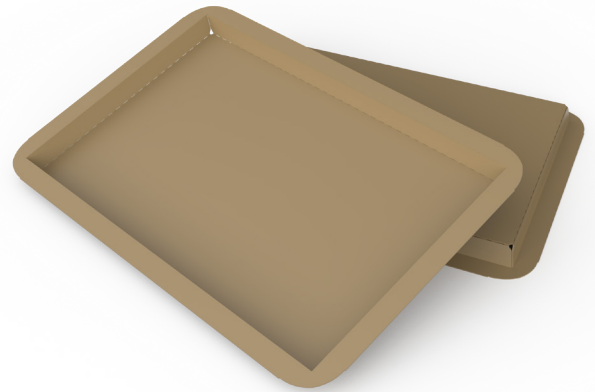
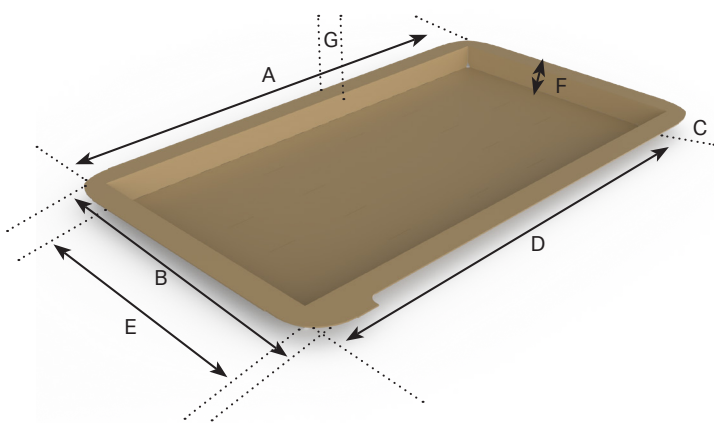




291 x 171 x 013

Product Specifications (+/- 2%)

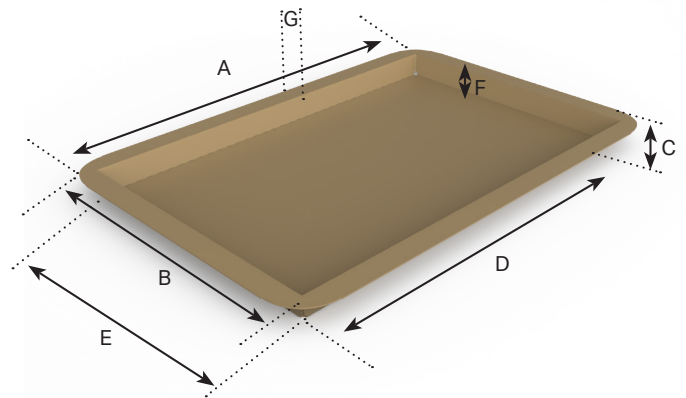
Top outside length (A)	291 mm
Top outside width (B)	171 mm
Top outside height (C)	013 mm
Base length (D)	259 mm
Base width (E)	139 mm
Side wall height (F)	013 mm
Flange width (G)	013 mm
Volume	169 ml



258 x 175 x 013

Product Specifications (+/- 2%)

Top outside length (A)	258 mm
Top outside width (B)	175 mm
Top outside height (C)	013 mm
Base length (D)	228 mm
Base width (E)	145 mm
Side wall height (F)	013 mm
Flange width (G)	012 mm
Volume	155 ml



HALOPACK

by Aptar

BENEFITS



Sustainable Solution

Produced with renewable or recycled cardboard, easily recyclable in existing cardboard streams



Reduced Food Waste

Hermetically sealed or breathable options to keep food fresh longer and reduce food waste



Broad Applications & Configurations

For dry & high moisture foods and other products; tailored for MAP and SKIN applications



Simple Implementation

Fits existing top seal and skin pack equipment with minimal tooling conversion



Enhanced Marketing Opportunities

360° printing on paperboard enables brand differentiation while reducing labeling materials & processes

KEY APPLICATIONS



GRAB N GO CONVENIENCE



ETHNIC FOODS



READY-TO-EAT



MEAT & SEAFOOD



FRESH CUT PRODUCE



SCAN QR CODE TO
ACCESS DIGITAL CATALOG

